



T&S BRASS AND BRONZE WORKS, INC.
 2 Saddleback Cove / P.O. Box 1088
 Travelers Rest, SC 29690

Model No.
EB-2261-04

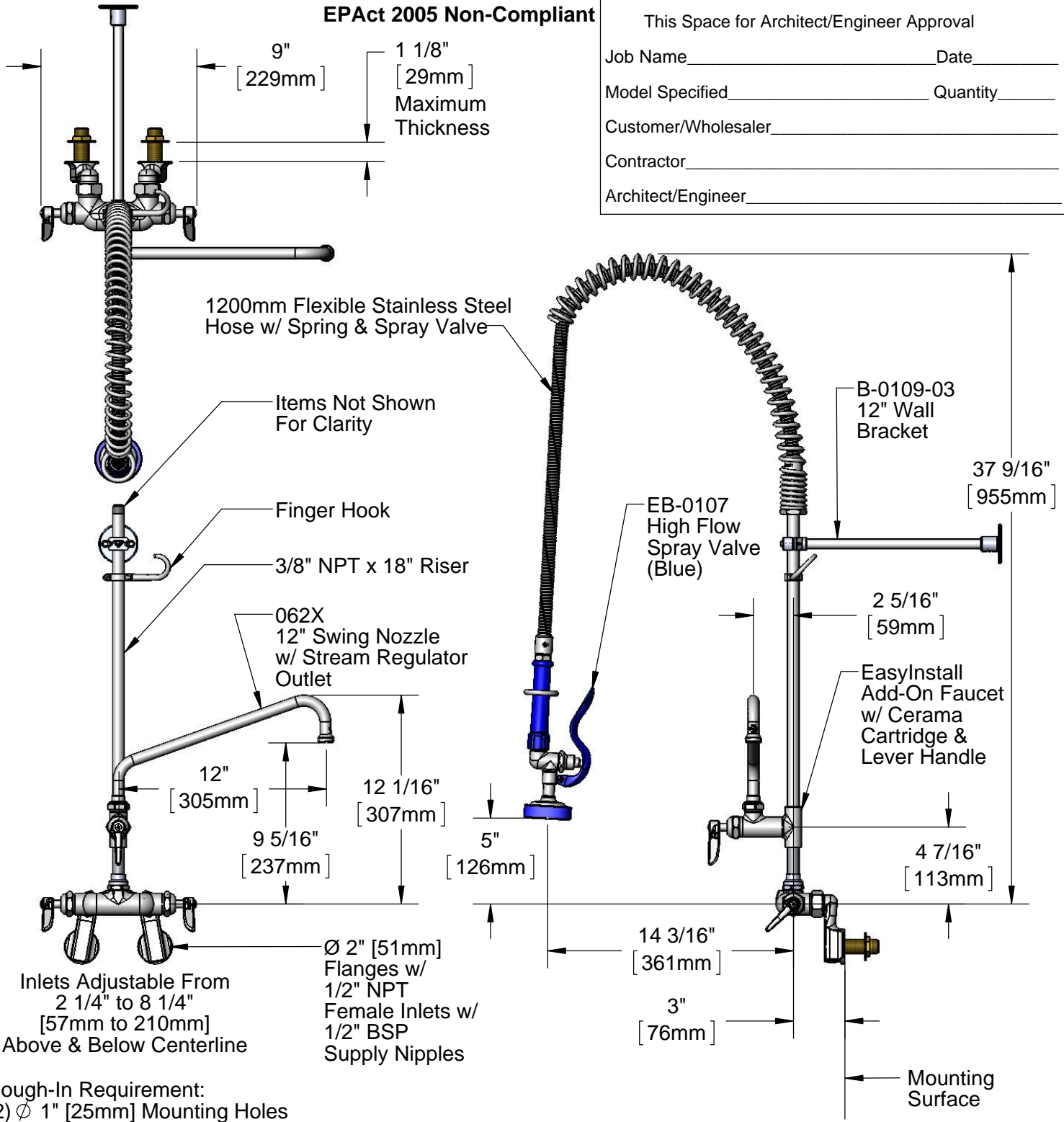
Item No.

Travelers Rest, SC: 800-476-4103 • Simi Valley, CA: 800-423-0150 • Fax: 864-834-3518 • www.tsbrass.com

EPAct 2005 Non-Compliant

This Space for Architect/Engineer Approval

Job Name _____ Date _____
 Model Specified _____ Quantity _____
 Customer/Wholesaler _____
 Contractor _____
 Architect/Engineer _____



Rough-In Requirement:
 (2) Ø 1" [25mm] Mounting Holes

Product Specifications:
 Pre-Rinse Unit: 8" Wall Mount Mixing Faucet, Cerama Cartridges w/ Check Valves, Lever Handles, 1200mm Flexible Stainless Steel Hose, High Flow Spray Valve (Blue), Add-On Faucet w/ Cerama Cartridge & Lever Handle, 12" Swing Nozzle, 12" Wall Bracket & 1/2" NPT Female Adjustable Arm Inlet Flanges w/ 1/2" BSP Male Supply Kit

Drawn DHL	Checked JRM	Approved JHB
Scale: 1:8	Date: 07/01/13	



T&S BRASS AND BRONZE WORKS, INC.

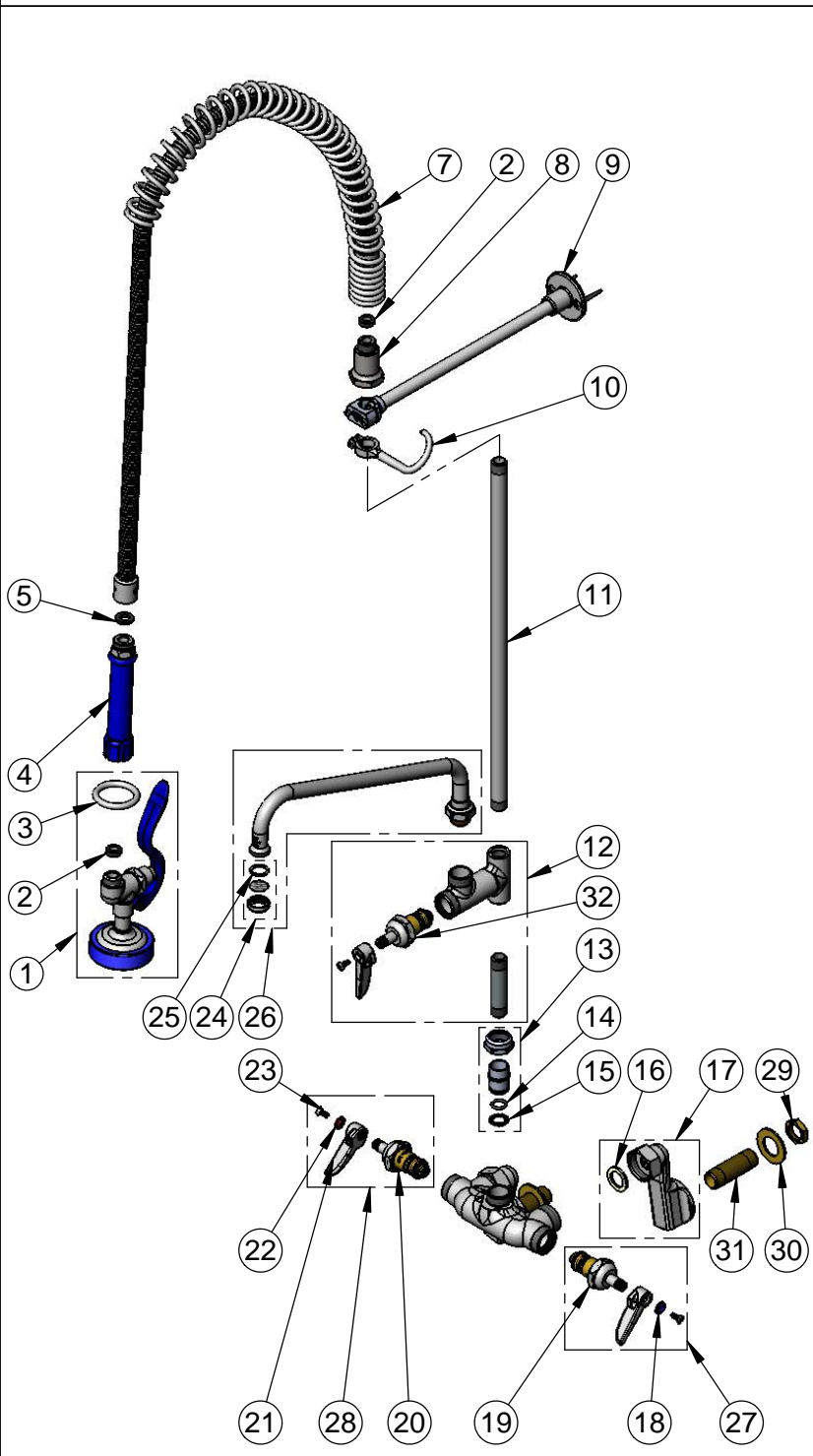
2 Saddleback Cove / P.O. Box 1088
Travelers Rest, SC 29690

Model No.

EB-2261-04

Item No.

Travelers Rest, SC: 800-476-4103 • Simi Valley, CA: 800-423-0150 • Fax: 864-834-3518 • www.tsbrass.com



ITEM NO.	SALES NO.	DESCRIPTION
1	EB-0107	High Flow Spray Valve (Blue)
2	010476-45	#27 Washer
3	000907-45	Spray Valve Hold Down Ring
4	011482-40	Grip Handle (Blue)
5	001014-45	Washer, B-0100 Hose Barrel
6		Item Removed
7	000888-45	EasyInstall Overhead Spring
8	000821-40	Spring Body
9	B-0109-03	12" Wall Bracket
10	004R	Finger Hook
11	000369-40	3/8" NPT x 18" Long Riser
12	B-0155-LNEZ	EasyInstall Add-On Faucet Less Nozzle
13	EZ-K	EasyInstall Kit
14	001065-45	O-Ring
15	014200-45	Star Washer, Anti-Rotation
16	001019-45	Coupling Nut Washer
17	00GG	1/2" NPT Female Adjustable Arm Inlet Flange
18	001660-45	Blue Index-CW
19	012395-25	Cerama Cartridge, LTC w/ Check Valve
20	012394-25	Cerama Cartridge, RTC w/ Check Valve
21	001638-45	Lever Handle
22	001661-45	Red Index-HW
23	000922-45	Lever Handle Screw
24	B-PT	Stream Regulator Outlet
25	001048-45	Nozzle Tip Washer
26	062X	12" Swing Nozzle w/ B-PT Stream Regulator Outlet
27	012447-25	Cerama Cartridge, LTC w/ Check Valve, Handle, Index & Screw
28	012446-25	Cerama Cartridge, RTC w/ Check Valve, Handle, Index & Screw
29	002954-45	Shank Lock Nut
30	000999-45	Brass Lock Washer
31	002814-45	Shank
32	011278-25	Cerama Cartridge, RTC

Product Specifications:

Pre-Rinse Unit: 8" Wall Mount Mixing Faucet, Cerama Cartridges w/ Check Valves, Lever Handles, 1200mm Flexible Stainless Steel Hose, High Flow Spray Valve (Blue), Add-On Faucet w/ Cerama Cartridge & Lever Handle, 12" Swing Nozzle, 12" Wall Bracket & 1/2" NPT Female Adjustable Arm Inlet Flanges w/ 1/2" BSP Male Supply Kit

Drawn	Checked	Approved
DHL	JRM	JHB
Scale:		Date:
NTS		07/01/13