

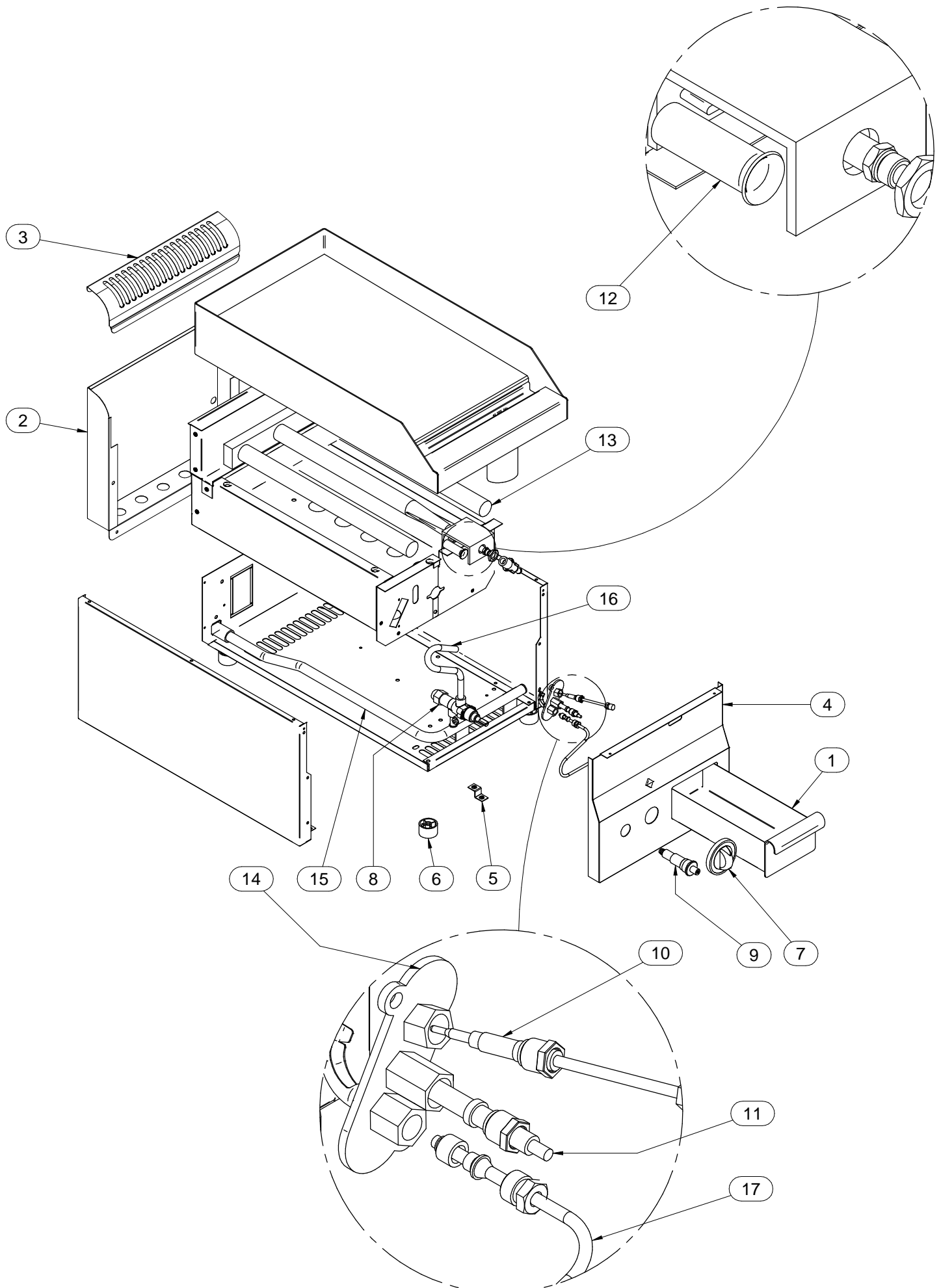
07/2012

# Mod: G60/PL3T

Production code: 60/30 FTG



**Diamond**  
catering equipment



| Modello<br>Type: | <b>60/30 FTG - FTRG</b> |                            |                              |                          | cod. / num. <b>2531385.00</b>       |              |
|------------------|-------------------------|----------------------------|------------------------------|--------------------------|-------------------------------------|--------------|
|                  |                         |                            |                              |                          | data / date: <b>07/06/2013</b>      |              |
| POS.<br>ITEM     | CODICE<br>CODE          | DESCRIZIONE                | DESCRIPTION                  | DENOMINATION             | BENENNUNG                           | NOTE / NOTES |
| 1                | 611.803.00              | CASSETTO                   | DRAWER                       | TIROIR                   | SCHUBLADE                           |              |
| 2                | 6211266.00              | PANNELLO POSTERIORE        | BACK PANEL                   | PANNEAU POSTERIEUR       | HINTERBRETT                         |              |
| 3                | 6111095.00              | ALZATINA                   | UPSTAND                      | DOSSERET                 | AUFKANTUNG                          |              |
| 4                | 256.058.00              | CRUSCOTTO                  | CONTROL PANEL                | BANDEAU                  | BEDIENBLLENDE                       |              |
| 5                | 256.002.00              | STAFFA FISSAGGIO CRUSCOTTO | CONTROL PANEL FIXING BRACKET | EQUERRE FIXATION BANDEAU | BEFESTIGUNGSWINKEL<br>BEDIENBLLENDE |              |
| 6                | 651.001.00              | PIEDINO                    | FOOT                         | PIED                     | STELLFUSS                           |              |
| 7                | 612.067.00              | MANOPOLA                   | KNOB                         | BOUTON                   | DREHKNOPF                           |              |
| 8                | 671.001.00              | RUBINETTO GAS              | GAS TAP                      | ROBINET GAZ              | GASHAHN                             |              |
| 9                | 672.006.00              | ACCENDITORE PIEZO          | PIEZO LIGHTER                | ALLUMEUR PIEZO           | PIEZOZÜNDER                         |              |
| 10               | 672.001.00              | TERMOCOPPIA                | THERMOCOUPLE                 | THERMOCOUPLE             | THERMOELEMENT                       |              |
| 11               | 256.060.00              | CANDELA ACCENSIONE         | IGNITION ELECTRODE           | BOUGIE D'ALLUMAGE        | KERZE SCHNELLBRENNER                |              |
| 12               | 672.023.00              | BOCCOLA REGOLAZIONE ARIA   | AIR REGULATION BUSHING       | BAGUE DE RÉGULATION AIR  | LUFTREGLERBÜCHSE                    |              |
| 13               | 672.122.00              | BRUCIATORE                 | BURNER                       | BRULEUR                  | BRENNER                             |              |
| 14               | 256.059.00              | GRUPPO PILOTA              | PILOT GROUP                  | GROUPE VEILLEUSE         | ZÜNDBRENNER GRUPPE                  |              |
| 15               | 675.295.00              | TUBO GAS                   | GAS PIPE                     | TUBE GAZ                 | GASROHR                             |              |
| 16               | 256.061.00              | TUBO GAS                   | GAS PIPE                     | TUBE GAZ                 | GASROHR                             |              |
| 17               | 256.062.00              | TUBO GAS                   | GAS PIPE                     | TUBE GAZ                 | GASROHR                             |              |
| 18               |                         |                            |                              |                          |                                     |              |
| 19               |                         |                            |                              |                          |                                     |              |
| 20               |                         |                            |                              |                          |                                     |              |