
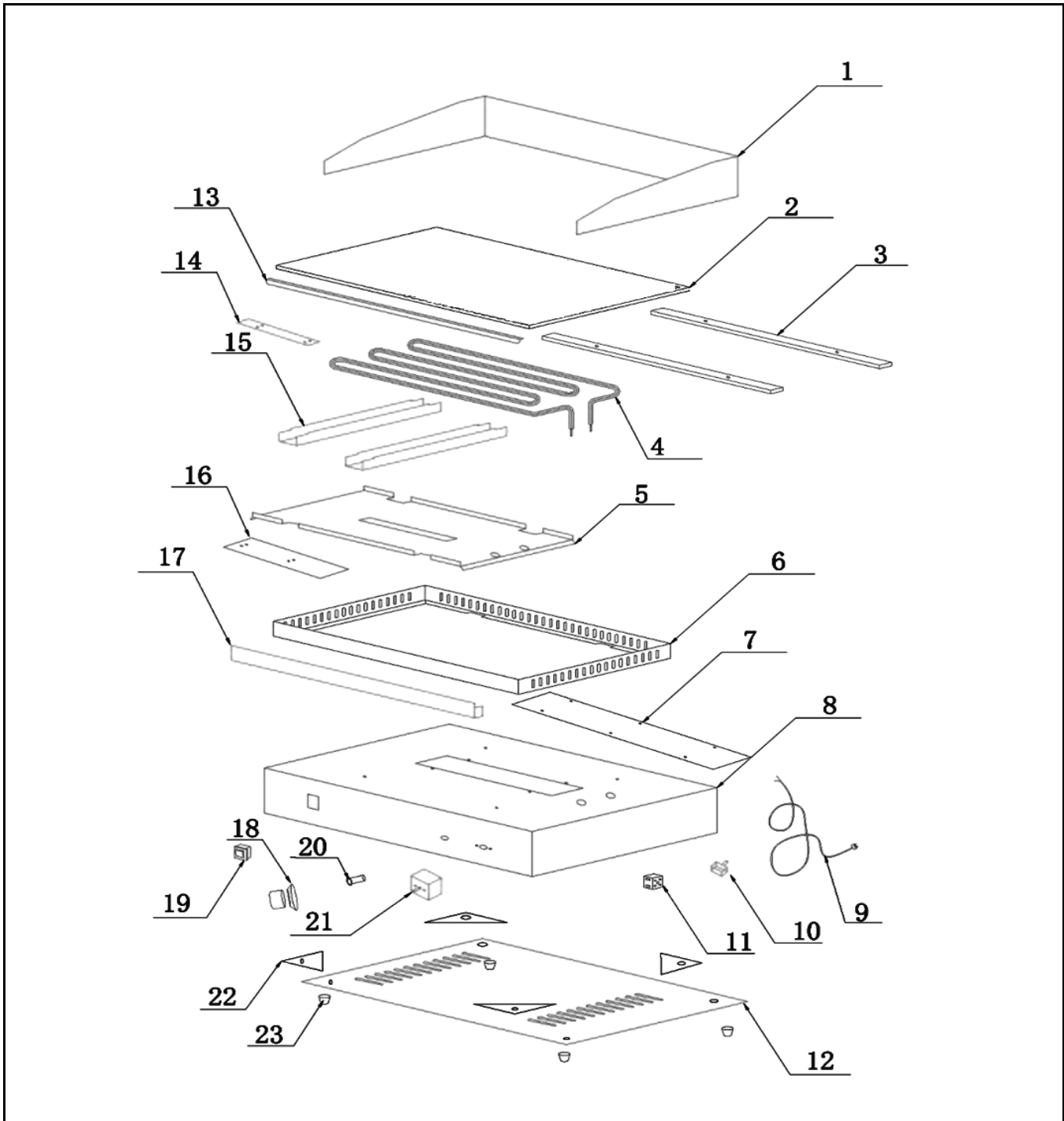



Drawing

 <p><b>Hendi B.V.</b> Steenoven 21 3911 TX Rhenen The Netherlands</p>	Batch #	Appliance part#
	402129 and up	203170
	Description	
	Entirely ribbed	

Date	02-07-2015	Revision #	Revision version
Revision	First bill of materials (BOM)		



### Bill of materials (BOM)

 <b>Hendi B.V.</b> Steenoven 21 3911 TX Rhenen The Netherlands	<b>Batch #</b>	<b>Appliance part#</b>
	402129 And up	<b>203170</b>
	<b>Description</b>	
	Entirely ribbed	


<b>Date</b>	02-07-2015	<b>Revision #</b>	Revision version
<b>Revision</b>	First bill of materials (BOM)		

Item	Description	Part#	Quantity	Remark	Picture
1	Side cover	n/a	1		
2	Griddle plate (Entirely ribbed)	n/a	1		
3	Bracket	n/a	2		
4	Element	929841	1		
5	Cover element	n/a	1		
6	Upper housing	n/a	1		
7	Cover	n/a	1		
8	Lower housing	n/a	1		
9	Power cord	930045	1		
10	Hi-limiter	929858	1		
11	Terminal	929940	1		
12	Bottom cover	n/a	1		
13	Bracket	n/a	1		
14	Probe holder	n/a	1		
15	Bracket	n/a	2		
16	Cover	n/a	1		
17	Drip tray	929957	1		
18	Knob	929865	1		
19	Switch	929872	1		
20	Indicator light	929889	1		
21	Thermostat	902011	1		
22	Mounting plate	n/a	4		
23	Feet	929896	4		
*	Cordinlet with retainer	912201	1	Not shown on exploded view	

n/a -> not available

nss -> not sold separately

**Circuit diagram**

 <b>HENDI</b> FOOD SERVICE EQUIPMENT  <b>Hendi B.V.</b> Steenoven 21 3911 TX Rhenen The Netherlands	<b>Batch #</b>	<b>Appliance part#</b>
	402129 and up	<b>203170</b>
	<b>Description</b>	
	Entirely ribbed	

<b>Date</b>	02-07-2015	<b>Revision #</b>	Revision version
<b>Revision</b>	First bill of materials (BOM)		

