
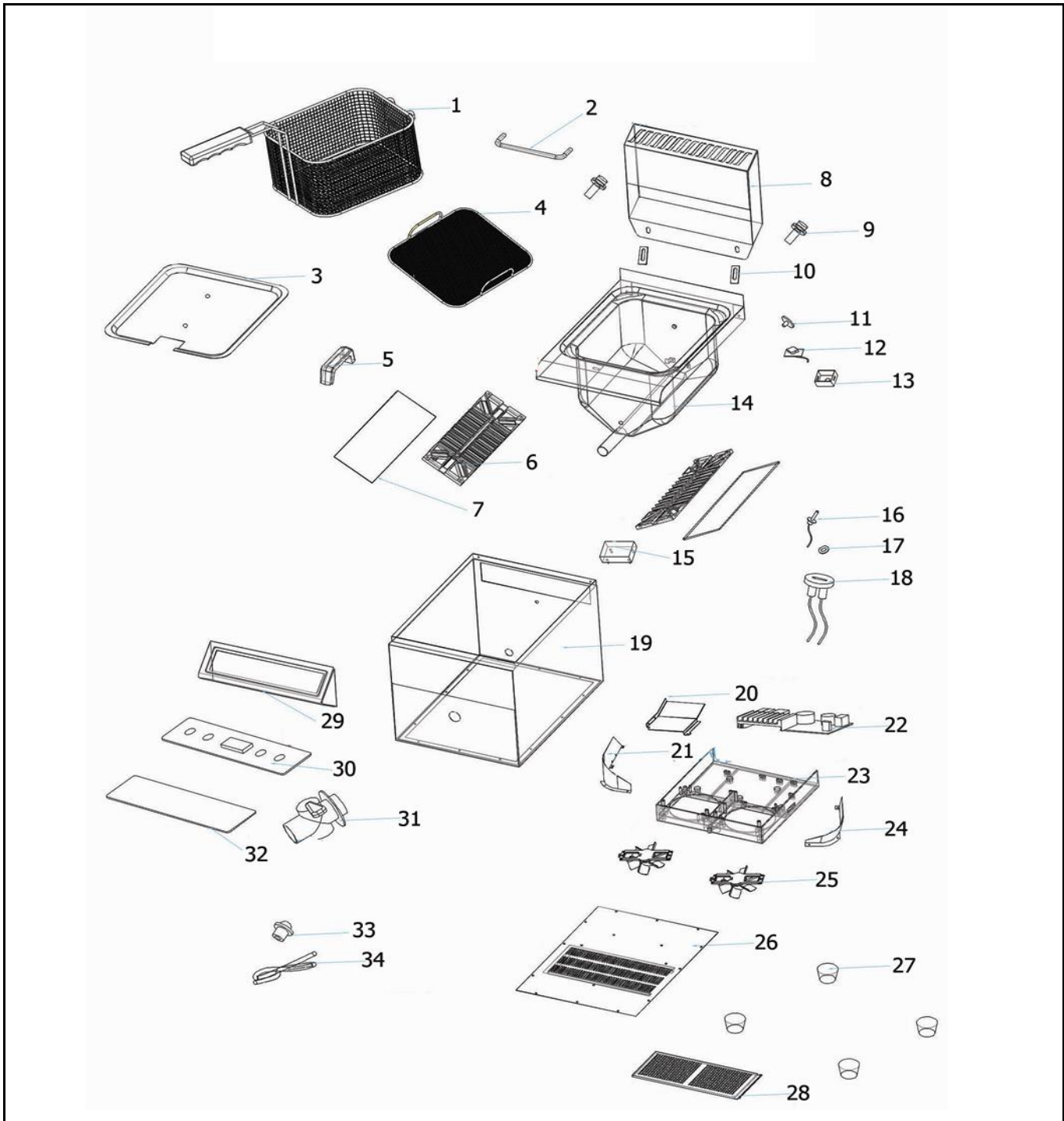



Drawing

 HENDI FOOD SERVICE EQUIPMENT Hendi B.V. Steenoven 21 3911 TX Rhenen The Netherlands	Batch #	Appliance part#
	301007 and up	215005
	Description	
	Induction Fryer	

Date	16-02-2016	Revision #	Revision version
Revision	First bill of materials (BOM)		



Bill of materials (BOM)

 HENDI <small>FOOD SERVICE EQUIPMENT</small> Hendi B.V. Steenoven 21 3911 TX Rhenen The Netherlands	Batch #	Appliance part#
	301007 and up	215005
	Description	
Induction Fryer		


Date	16-02-2016	Revision #	Revision version
Revision	First bill of materials (BOM)		

Item	Description	Part#	Quantity	Remark	Picture
1	Fryer basket	930670	1		
2	Bracket	n/a	1		
3	Lid	930687	1	Incl item 5	
4	Filter	930694	1		
5	Handle lid	nss	1	Available as 930687	
6	Induction coil	930700	2		
7	Mica plate	n/a	2		
8	Back cover	n/a	1		
9	Bolt	930717	2		
10	Clip	n/a	2		
11	Button	n/a	1		
12	Hi-Limiter	930724	1		
13	Cover	n/a	1		
14	Fryer bassin	n/a	1		
15	Terminal	930731	1		
16	Sensor	930748	1	Incl item 17 & 18	
17	Seal	nss	1	Available as 930748	
18	Holder sensor	nss	1	Available as 930748	
19	Frame	n/a	1		
20	Wind deflector	n/a	1		
21	Wind deflector	n/a	1		
22	Main pcb	930755	1		
23	Bracket	n/a	1		
24	Wind deflector	n/a	1		
25	Fan	919446	2		
26	Bottom cover	n/a	1		
27	Feet	919804	4		
28	Filter	930762	1		
29	Bracket	n/a	1		
30	Display pcb	930779	1		
31	Faucet	930786	1		
32	Display glass	n/a	1		
33	Cord inlet with retention	912263	1		
34	Power cord	929353	1		

n/a -> not available

nss -> not sold separately

Wiring diagram

 <b style="font-size: 2em; font-weight: bold; color: red;">HENDI FOOD SERVICE EQUIPMENT Hendi B.V. Steenoven 21 3911 TX Rhenen The Netherlands	Batch #	Appliance part#
	301007 and up	215005
	Description	
	Induction Fryer	

Date	16-02-2016	Revision #	Revision version
Revision	First bill of materials (BOM)		

